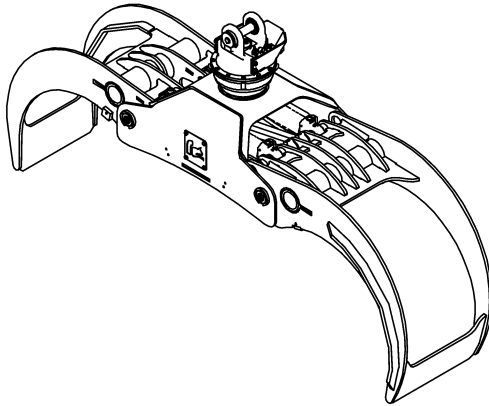




ROTOBEC™

Bunching grapple

F1250HD with rotator RT-502-STD



| | |
|----------------------------------|---|
| Opening | 126 1/8 in. (3204 mm) |
| Closing | 11 in. (279 mm) |
| Volume | .842 cord of 8 ft. wood |
| Area tip to tip | 13.5 sq. ft. (1.25 sq. meter) |
| Rotator lifting capacity | 50000 lb (22680 kg) |
| Torque at relief pressure | 18630 in.lb (2105 Nm) @ 1450 psi (100 bars) |
| Steel* thickness | 3/4" (19 mm) |
| Weight | 3075 lb (1395 kg) |

*High tensile strength steel: 165,000 psi (1138 MPa)
 ** Heavy-duty version.

| | | |
|--|--|--|
| Rotator | Maximum pressure: 5000 psi (345 bars) | Recommended flow: 9 gpm (34 l/min.) |
| Rotator recommended flow will produce a speed of 25 rpm. | | |

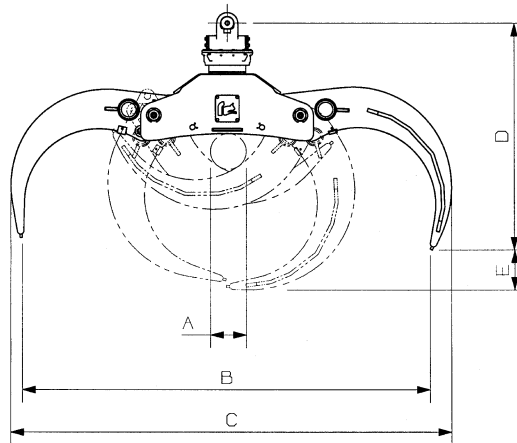
| Cylinder | Diameter | Recommended pressure | Pressure range | Flow range | Lock valves |
|----------|----------------|----------------------|----------------------------------|--------------------------------|-------------|
| Standard | 4" (102 mm) | 3000 psi (207 bars) | 2500 - 3500 psi (172 - 241 bars) | 31 - 42 gpm (117 - 159 l/min.) | no |
| Standard | 3 1/2" (89 mm) | 4300 psi (297 bars) | 3600 - 5000 psi (248 - 345 bars) | 23 - 30 gpm (86 - 114 l/min.) | no |
| | | | | | |
| | | | | | |

Grapple cylinder maximum flow will theoretically produce a complete grapple open/close cycle in 6 seconds.

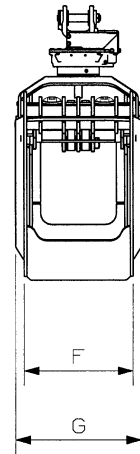
Reference Dimension

| | |
|----------|-----------------------|
| A | 11 in. (279 mm) |
| B | 126 1/8 in. (3204 mm) |
| C | 134 3/4 in. (3423 mm) |
| D | 70 1/4 in. (1784 mm) |
| E | 12 1/2 in. (318 mm) |
| F | 29 1/8 in. (740 mm) |
| G | 33 5/8 in. (854 mm) |

Front view



Side view



web site: www.rotobec.com

e-mail: rotobec@rotobec.com

Rotobec Inc.: Head office serving OEM's and Eastern Canada
 Rotobec West: Branch serving Western Canada and Western USA
 Rotobec USA: Branch serving Eastern and Central USA

Ph: (418) 383-3002 Fax: (418) 383-5334
 Ph: (250) 765-1161 Fax: (250) 765-0035
 Ph: (603) 444-2103 Fax: (603) 444-0327